

Pendant&Surface CS5035

CS5035-W90

CS5035-W90

Basic Parameters

Application	Indoor
Material	AL6063-T5,spraying surface
IP Grade	IP20
Warranty	5 years

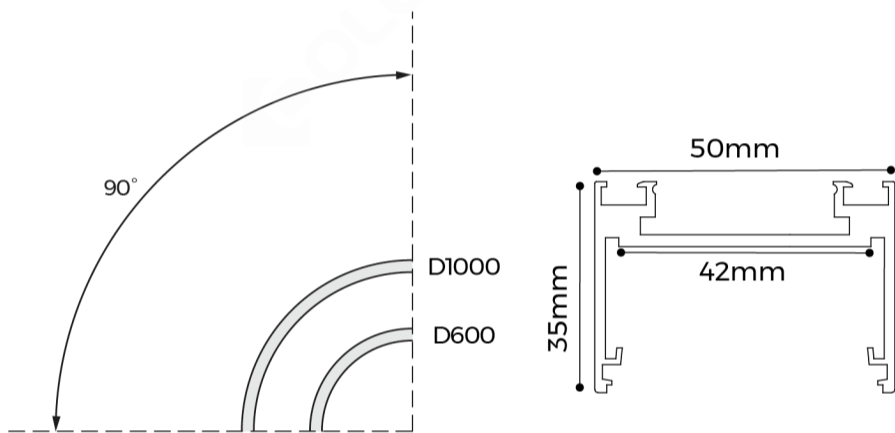
Electrical Parameters

Optical Parameters

Length	D600mm,D1000mm
Luminous Efficacy	90LM/W



Dimensions

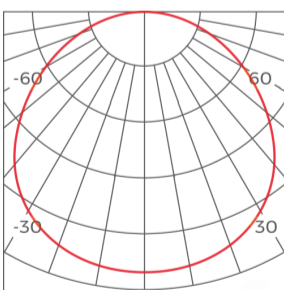


Luminaire Parameters

Version	Size(mm)	Power(W)	PCB Current(A)	CRI	CCT	Lumens(LM) @White, Silver	Lumens(LM) @Black
Regular	D600mm	7	0.3	>80	4000K	630	535
Regular	D1000mm	18	0.75	>80	4000K	1620	1377
Regular	D600mm	7	0.3	>90	4000K	541	460
Regular	D1000mm	18	0.75	>90	4000K	1393	1184

Light Distribution

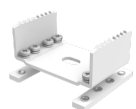
Regular-110°



h(m)	D(cm)	E(lx)
1	287	371
2	575	92
3	863	40
4	1151	22

Common Accessories

Splicing accessory



EX-E16

Applicable product model: CS5035/
CE5035 Material process:SPCC/ Electroplating
Size: L46.5*W30*H18mm
Quantity: 1 PCS/SET Other:Includes mounting screws.

Dedicated light source



DM51202423

Applicable product model: CS5035/CS5070/CE5035(stick a single strip)
 CS7035/CS7070/CE7035(paste two strips placed parallel to each other)
 Size: 4000*23*1.5mm/5000*23*1.5mm
 Cutting Unit:50mm
 Input Voltage:DC24V
 Typ.Power:14.4W/M(5M/roll); 24W/M(4M/roll)
 Typ.luminous flux:
 800LM/M@RGBNW(5M/roll)
 1320LM/M@RGBNW(4M/roll)
 CCT:RGB(DMX)+2700/RGB(DMX)+3000/RGB(DMX)+4000/RGB(DMX)+6000K
 CRI: RA80 @ white light
 Other:20# wire diameter,outer diameter 5.5mm, PVC material;5PIN red/black/green/blue/white wire



DS81602423

Applicable product model: CS5035/CS5070/CE5035(stick a single strip)
 CS7035/CS7070/CE7035(paste two strips placed parallel to each other)
 Size: 4000*23*1.5mm/5000*23*1.5mm
 Cutting Unit:50mm
 Input Voltage:DC24V
 Typ.Power:14.4W/M(5M/roll); 24W/M(4M/roll)
 Typ.luminous flux:
 2300LM/M@RA80,4000k(5M/roll)
 3600LM/M@RA80,4000k(4M/roll)
 CCT: 2700/3000/3500/4000/5000/6500K
 CRI: 80/90
 Other:18# wire diameter,PVC material, 2PIN red-black wire



DS83202423

Applicable product model:CS5035/CS5070/CE5035(stick a single strip)
 CS7035/CS7070/CE7035(paste two strips placed parallel to each other)
 Size: 3000*23*1.5mm/4000*23*1.5mm
 Cutting Unit:50mm/16LEDs
 Input Voltage:DC24V
 Typ.Power:
 48W/M(2700K+6500K)@3M/roll
 28.8W/M(2700K+6500K)@4M/roll
 Typ.luminous flux:
 4000LM/M@RA80,2700K+6500K(4M/roll)
 6700LM/M@RA80,2700K+6500K(3M/roll)
 CCT: 2700K+6500K
 CRI: 80/90
 Other:Outer diameter 6mm,18# wire diameter, brown-blue-green 3PIN crystal wire

Cover



CV-CS5035D

Applicable product model:CS5035/CS5070/CE5035(suitable for down-lighting) Diffuser Nature: Diffuser Material process: Silica gel flexible/frosting Light transmittance:≥55% Size: 20000*47*4mm Other: Fire protection rating UL94-V2 ;

Controller



CR2-GBA

Product Name: CR2-GBA Input Voltage: 12-48V Output Current:8A*2CH,Max 16A Output Power:192W/384W@12V/24V , 384W/576W@36V/48V Dimming Mode: Two-color 2.4 remote control IP:IP20 Product Size:L175*W45*H27(mm)



K-1000C

Product Name: K-1000C Input voltage: 5-24V Control Pixel Points:Point Control 1CH*1024(SPI),Point Control 1CH*512(DMX) Dimming mode:DMX/SPI control IP:IP20Warranty: 5 years



K-8000C

Product Name: K-8000C Input Voltage: 5-24V Control Pixel Points:Point Control 8CH*1024(SPI),Point Control 8CH*512(DMX) Dimming mode:DMX/SPI control IP:IP20Warranty: 5 years

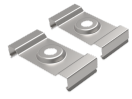
End cap accessory



EC-MS5035

Applicable product model: MS5035 Material process: aluminum/ powder spraying Size: L50*W35*H2.5mm Quantity:2PCS/ set

Installation accessory



CP-56

Applicable product model: Inward & Outward & Twist profile (CS3535/CS5035)
Installation method: Ceiling & Pendant
Material : SUS304
Size: 36.3*17*7.3mm
Quantity: 2 PCS/SET(with screws)
Note: The clips only for Inward & Outward & Twist profile



PB-09

Applicable product model: CS3535/CS5035/CS7035/CS3570/CS5070/CS7070
Installation method: pendant (Power box with wire)
Material process: SPCC/powder spraying
Maximum weight capacity: 8Kg
Size:
Power Box: L400*W55*H50mm
Wire: D3*2000mm
Quantity: 1PCS/ set
Note:
1. Including 1PCS Power Box+1PCS input wire; Power supply not included.
2. One power box holds one power supply
3. Need to order separate clip (CP-XX) to use with it



PB-10

Applicable product model: CS3535/CS5035/CS7035/CS3570/CS5070/CS7070
Installation method: pendant (Power box with rod)
Material process: SPCC/powder spraying
Size: Power Box: L400*W55*H50mm
Rod: 1-2 meter adjustable
Wire: D3*2000mm
Quantity: 1PCS/ set
Note:
1. Including 1PCS Power Box+1PCS input wire+1PCS rod; Power supply not included.
2. One power box holds one power supply
3. Need to order separate clip (CP-XX) to use with it



PP-A

Applicable product model: CS3535/CS5035/CS7035/CS3570/CS5070/CS7070
Installation method: pendant (Ceiling plate with wire)
Material process: Fe/powder spraying
Maximum weight capacity: 3Kg
Size: Ceiling Plate: D88*29mm/Wire: D3*2000mm
Open hole: D75mm
Quantity: 1PCS/ set
Note :
1. Including 1PCS Ceiling plate+2PCS springs+1PCS input wire.
2. One ceiling plate holds one power supply.
3. Need to order separate clip (CP-XX) to use with it.



PP-G

Applicable product model: CS3535/CS5035/CS7035/CS3570/CS5070/CS7070
Installation method: pendant (Ceiling plate with rod)
Material process: Fe/powder spraying
Maximum weight capacity: 3Kg
Size: Ceiling Plate: D88*29mm/Rod: 1-2 meter adjustable
Wire: D3*2000mm
Open hole: D75mm
Quantity: 1PCS/ set
Note :
1. Including 1PCS Ceiling plate+2PCS springs+1PCS input wire+1PCS rod.
2. One ceiling plate holds one power supply.
3. Need to order separate clip (CP-XX) to use with it.

CCT-Remote control



R7-1

Product Name: R7-1 Dual Color Remote
Working Voltage : 3VDC (Battery CR2032)
Operating Frequency: 2.4GHz
Remote Control Distance: 30 meters
Operating Temperature: -30°C~55°C
Product Size: L107*W58.5*H9(mm)

Power Supply



BK-DEV200-24V0D
 Applicable product model: General
 Dimming mode: DALI2,PUSH-dimming,1-10V 3in1 dimming
 Size: 361*33.1*22.8mm
 Input voltage: AC200-240V
 Operating frequency: 50/60Hz
 PF value: ≥0.9
 Output voltage: DC24V
 Output current: ≤8.3A
 Power: 200W
 Efficiency: 0.92
 Certification: TUV, CE, RCM
 Case material: Metal housing



BK-DGVX-24V0D
 ProductName: BK-DGV036-24V0D/BK-DGV060-24V0D/BK-DGV100-24V0D
 Applicable product model: General
 Output power: 36W/60W/100W
 Output current: ≤1.5A/≤2.5A/≤4.2A
 Product size: 245.0*30.0*21.0mm/285.0*30.0*21.0mm/355.0*30.0*21.0mm
 Input voltage: AC200-240V
 Operating frequency: 50/60Hz
 Output voltage: DC24V
 PF value: ≥0.9
 Efficiency: ≥0.88
 IP: IP20
 Dimming mode: DALI-2,PUSH-Dimming,1-10V 3in1 Dimming
 Certification: CE, ENEC, UKCA, RCM, CCC, EL
 Material: Metal housing
 Warranty: 5 years



BK-MEV200-24V0M
 Applicable product model: General
 Dimming mode: 1-10V Dimming
 Size: 321.5*48*30mm
 Input voltage: AC200-240V
 Operating frequency: 50/60Hz
 PF value: ≥0.9
 Output voltage: DC24V
 Output current: ≤8.3A
 Power: 200W
 Efficiency: 0.93
 Certification: CE, ENEC, UKCA, RCM, CCC, EL
 Case material: Metal housing



BK-MGVX-24V0M
 ProductName: BK-MGV036-24V0M/BK-MGV060-24V0M/BK-MGV100-24V0M
 Applicable product model: General
 Output power: 36W/60W/100W
 Output current: ≤1.5A/≤2.5A/≤4.2A
 Product size: 245.0*30.0*21.0mm/285.0*30.0*21.0mm/355.0*30.0*21.0mm
 Input voltage: AC200-240V
 Operating frequency: 50/60Hz
 Output voltage: DC24V
 PF value: ≥0.9
 Efficiency: ≥0.89
 IP: IP20
 Dimming mode: 1-10V Dimming
 Certification: TUV, CE, ENEC, RCM
 Material: Metal housing
 Warranty: 5 years



LF-GHYXH24
 Applicable product model: General
 Dimming mode: Non-Dimming
 Size: 316*30.7*22.8mm / 361*33.1*22.8mm
 Input voltage: AC220-240V
 Operating frequency: 50/60Hz
 PF value: ≥0.9
 Output voltage: DC24V
 Output current: ≤4.25A / ≤10A
 Power: 100W / 240W
 Efficiency: 0.92
 Certification: ENEC,CE,CB,RCM,UKCA,MM,CCC
 Case material: Plastic

Packing

QTY/CTN	N. WT (ctn)	G.WT (ctn)	Size (cm/carton)	Product Size (mm)
40	17.2	18.4	92*50*34	D600*50*35mm
20	14.4	15.6	78*50*34	D1000*50*35mm